

Figure 7

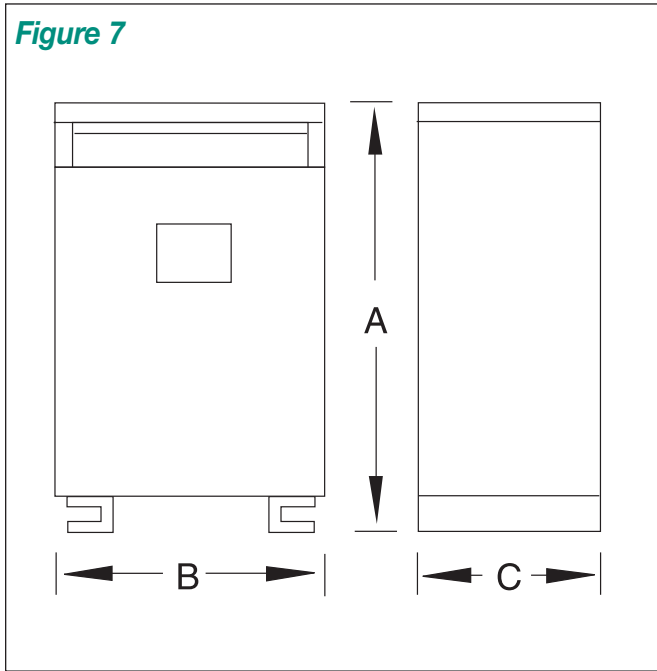
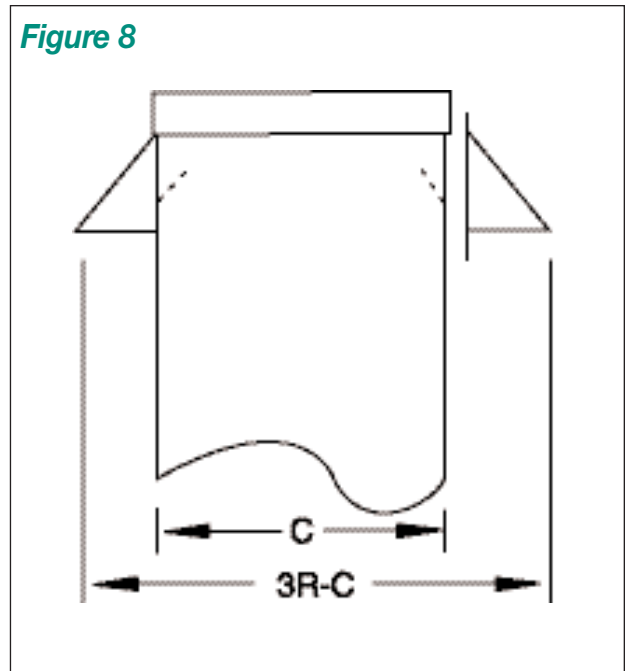


Figure 8



Weather Shield Kit to Make Enclosures NEMA 3R Rated

Part Number	Width (B)	Depth w/o weather shield (C)	Depth with weather shield (3R-C)	Shipping weight (lbs.)
423-7008-015	17.0	14.0	21.0	2.9
423-7008-030	19.0	16.0	23.0	3.2
423-7008-045	22.0	17.0	24.0	3.6
423-7008-075	25.0	18.5	25.5	4.1
423-7008-112	27.0	21.0	28.0	4.4
423-7008-150	29.0	23.0	31.0	5.3
423-7008-225	33.0	26.0	34.0	6.4
423-7008-300	48.0	33.0	38.0	6.7
423-7008-500	48.0	33.0	43.5	12.2

Mounting Brackets

Part Number	Description	Shipping weight (lbs.)
223-7008-030	Up to 30 KVA at 150 degree C rise	18
223-7008-075	31 to 75 KVA at 150 degree C rise	20